

BOLT NOVA

SPECIFICATION SHEET
STATIC WHITE OUTDOOR

NEXT GEN NATATORIUM-RATED INDIRECT LUMINAIRE

Housing

Diameter :	Weight :
350W : 18.6" x 18.7" x 12.8"	350W : 24.25 lbs
700W : 23" x 28.9" x 16"	700W : 44 lbs
1050W : 23" x 41.3" x 20.4"	1050W : 77 lbs

Material

Housing : High Pressure Die-Cast Aluminum, Tempered Glass
Mounting : Corrosion-resistant fluorocarbon-coated steel
Lens : PC Lens

Power Input

350W, 700W, 1050W | 120-277V

Lumen Output

43,750 lm (350W), 98,000 lm (700W), 147,000 lm (1050W)

Dimming

Standard 1-10V : Dims to 10%
DMX : High resolution dims to 10%

Color Quality

CRI 75, CRI 85

Rated Life

> 100,000 Hours (L70)

Finish



Black



White

Color Temperature



3000K



4000K



5000K

Optics



30°



60°



Asymmetric

Mounting



Stem
Mount



Bracket

Warranty

7 Year limited warranty

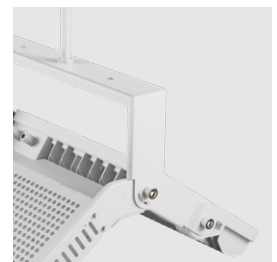
Listing



Meticulously Crafted To Excel In Challenging Environments

The Bolt Nova series stands out as a remarkable range of indirect floodlights, boasting industry-leading performance of an unparalleled 147,000 lumens.

Distinguished by its unique Uni-Body design and dynamic heat control, the Bolt Nova not only delivers exceptional luminosity but also ensures optimal performance and longevity even in the harshest conditions.



METEOR

meteor-lighting.com

SPECIFICATION

PROJECT NAME

DATE

CATALOG #

QUANTITY

The product configurator function on this page works only with the latest version of Chrome or Adobe Acrobat Reader.

BLTN	MODEL	BOLT NOVA SERIES		
	WATTAGE	350¹ 350W	700 700W	1050 1050W
	CCT / CRI	308 3000K / CRI85	408 4000K / CRI85	507 5000K / CRI75
UNV	VOLTAGE	UNV 120 – 277V		
	DIMMING	NOD Non-Dimming	STV Standard 1-10V dims to 10%	DMX DMX dims to 10%
	BEAM ANGLE	30 30°	60 60°	ASY Asymmetric
	FINISH	BLK Black	WHT White	
	MOUNTING	US2 Uplight Stem 2 ft BRK Bracket	US4 Uplight Stem 4 ft WLM Wall Mount	US6 Uplight Stem 6 ft
	RATING	OUT² Outdoor Rating	NAT³ Natatorium Rating	
	ACCESSORIES	GSV⁴ Glare Shield Visor		

CLEAR FORM

¹ 350W is only compatible with ASY
² Outing Rating: Coating and wiring will be changed to high UV resistant and corrosion resistant materials for long term operation in outdoor environments
³ Natatorium rating: Coating and sealant will be changed to high corrosion resistant materials to prevent damage from long term exposure to chlorine vapors
⁴ GSV option reduces delivered lumens by ~25%

TECHNICAL DETAILS

Electrical

- 43,750 lm (350W), 98,000 lm (700W), 147,000 lm (1050W)
- Power Input : Universal (120-277V)
- Operating Temperature : -40°F~121°F
- Surge Protection : Built-in is 4KV

LED Features

- Color Temperature : 3000K, 4000K, 5000K
- CRI 75, CRI 85
- Long lasting LED luminaire tested under TM21 lumen maintenance L70 @ 100,000 Hrs

Optics

- Precision molded high transmittance clear PC lens
- Beam Angle : 30°, 60°, Asymmetric

Advanced Dimming

- Standard 1-10V : Dims to 10%
- DMX : High resolution dims to 10%

EPA

- 350W : 2.62 ft²
- 700W : 4.62 ft²
- 1050W : 6.6 ft²

Housing

- Diameter :
350W : 18.6" x 18.7" x 12.8"
700W : 23" x 28.9" x 16"
1050W : 23" x 41.3" x 20.4"
- Material : High Pressure Die-Cast Aluminum, Corrosion-resistant fluorocarbon-coated steel, Tempered Glass
- Weight :
350W : 24.25 lbs
700W : 44 lbs
1050W : 77 lbs

Mounting

- Uplight Stem 2 ft / 4 ft / 6 ft
- Bracket
- Wall Mount

Warranty

- 7-year limited warranty

Listing

- ETL Wet Location Listed
- FCC
- IP66
- DLC Premium

PERFORMANCE SUMMARY*

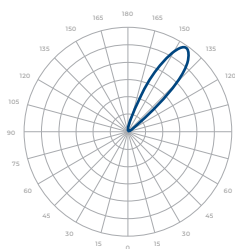
Delivered Lumens			
CCT/WATTAGE	3000K	4000K	5000K
350W	38,500lm	42,000lm	43,750lm
700W	87,500lm	94,500lm	98,000lm
1050W	131,250lm	141,750lm	147,000lm

Current Consumption		
WATTAGE / VOLT	120V	277V
350W	3.12A	1.39A
700W	6.42A	2.78A
1050W	9.63A	4.17A

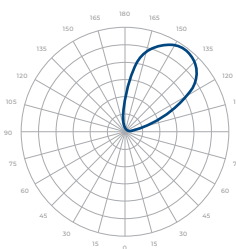
*Beam Angle: 60° & Asymmetric * Tolerance ±8%

PHOTOMETRICS*

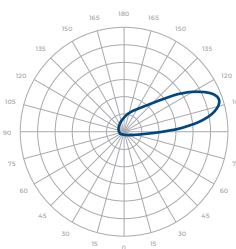
Below is a typical photometric representation of the Bolt Nova fixture. Please download IES files to ensure exact photometric value.
 *35° Tilt



30°



60°



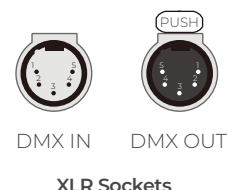
ASYMMETRIC

DMX REQUIREMENTS

The Bolt Nova fixture with DMX is a **single channel dmx** unit. When placing an order, please indicate DMX address. (The DMX address will be listed on the back of the fixture). Do not connect more than 32 fixtures per DMX daisy chain.

The fixture can be connected with XLR sockets. DMX cables **are not** included; please refer to compatible DMX cabling list for more information. The final fixture on each daisy chain should be terminated by the use of a DMX terminator purchased from a 3rd party or from Meteor.

CONNECTION	RJ45 (CAT5e)	5-PIN XLR
Common	WHITE/BROWN(PIN7) & BROWN (PIN 8)	PIN 1
Signal -	ORANGE (PIN 2)	PIN 2
Signal +	WHITE/ORANGE (PIN 1)	PIN 3
Spare	-	PIN 4
Spare	-	PIN 5



The DMX connection for this fixture must be **hard-wired**; please refer to the wiring diagram in the installation guide for detailed instructions. DMX cables are not included; please refer to the compatible DMX cabling list for more information. The final fixture on each daisy chain should be terminated by the use of a DMX terminator purchased from a 3rd party or from Meteor.

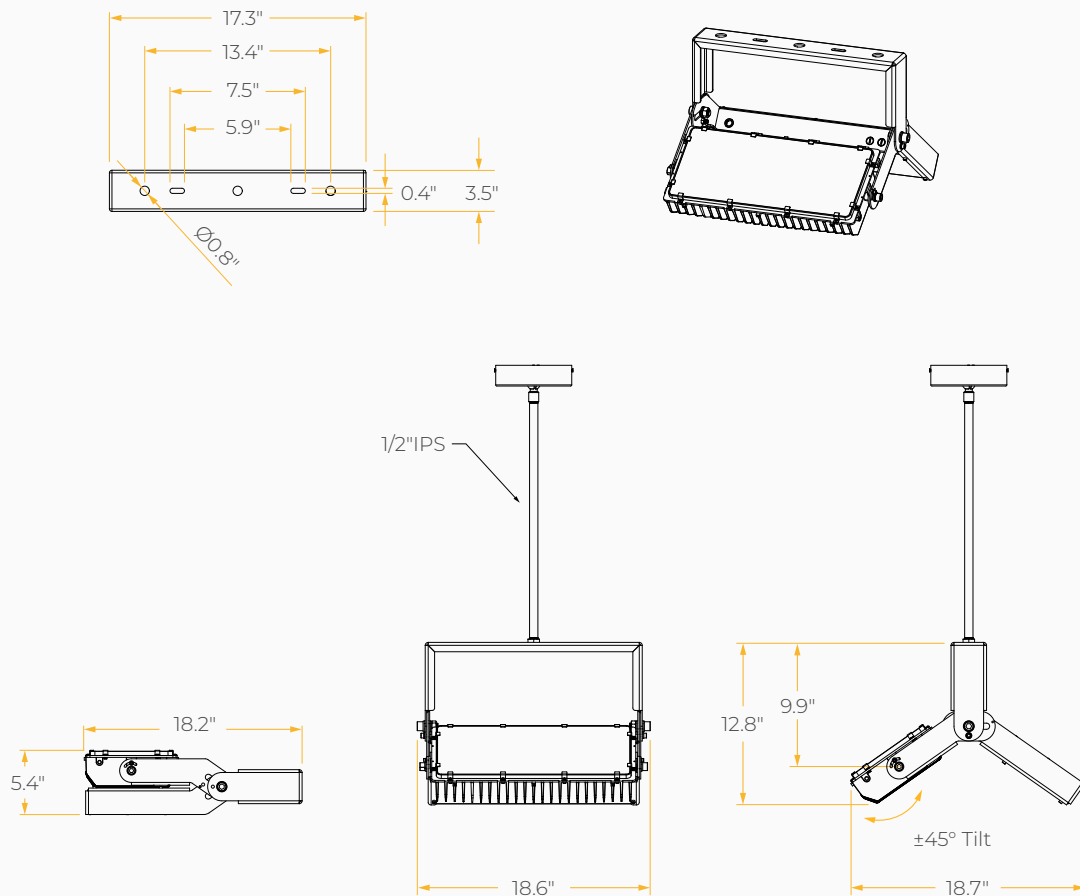
COMPATIBLE DMX CABLING LIST

DMX uses a cable consisting of two twisted pairs plus a shield to carry data. The cable must be specifically impedance matched for the digital DMX signal, meaning that microphone cable or other non-rated cable **must not be used to carry DMX**. Network cable (Cat5, 5e or 6 cable) may be used to carry DMX in an installation; however special consideration must be given to shielding and termination. Under no circumstances should solid core cable like Cat5 be terminated into a screw down connector.

Meteor recommends the use of Belden 9729 or Belden 9841 for DMX installation. Belden 9729/9841 is a two pair cable, which allows for a spare pair for 'out and back' type terminations if needed.

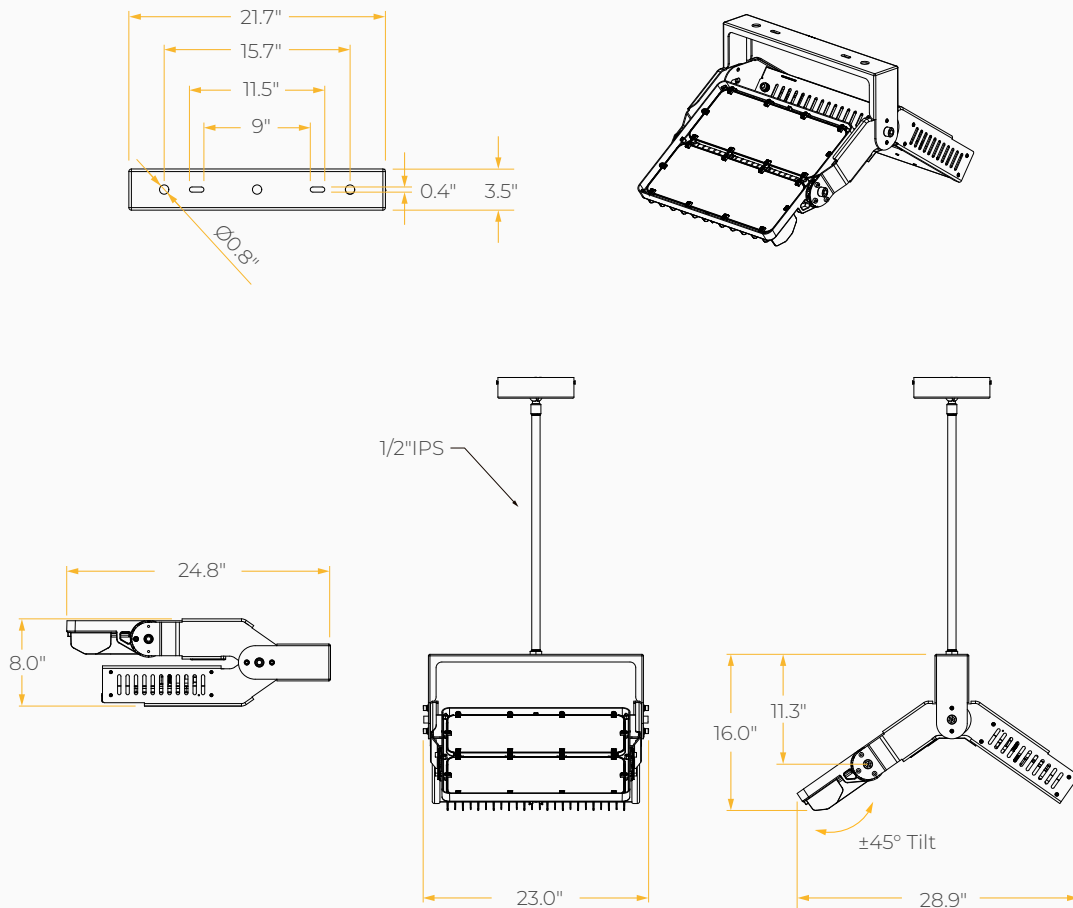
DIMENSIONS

350W Uplight Stem



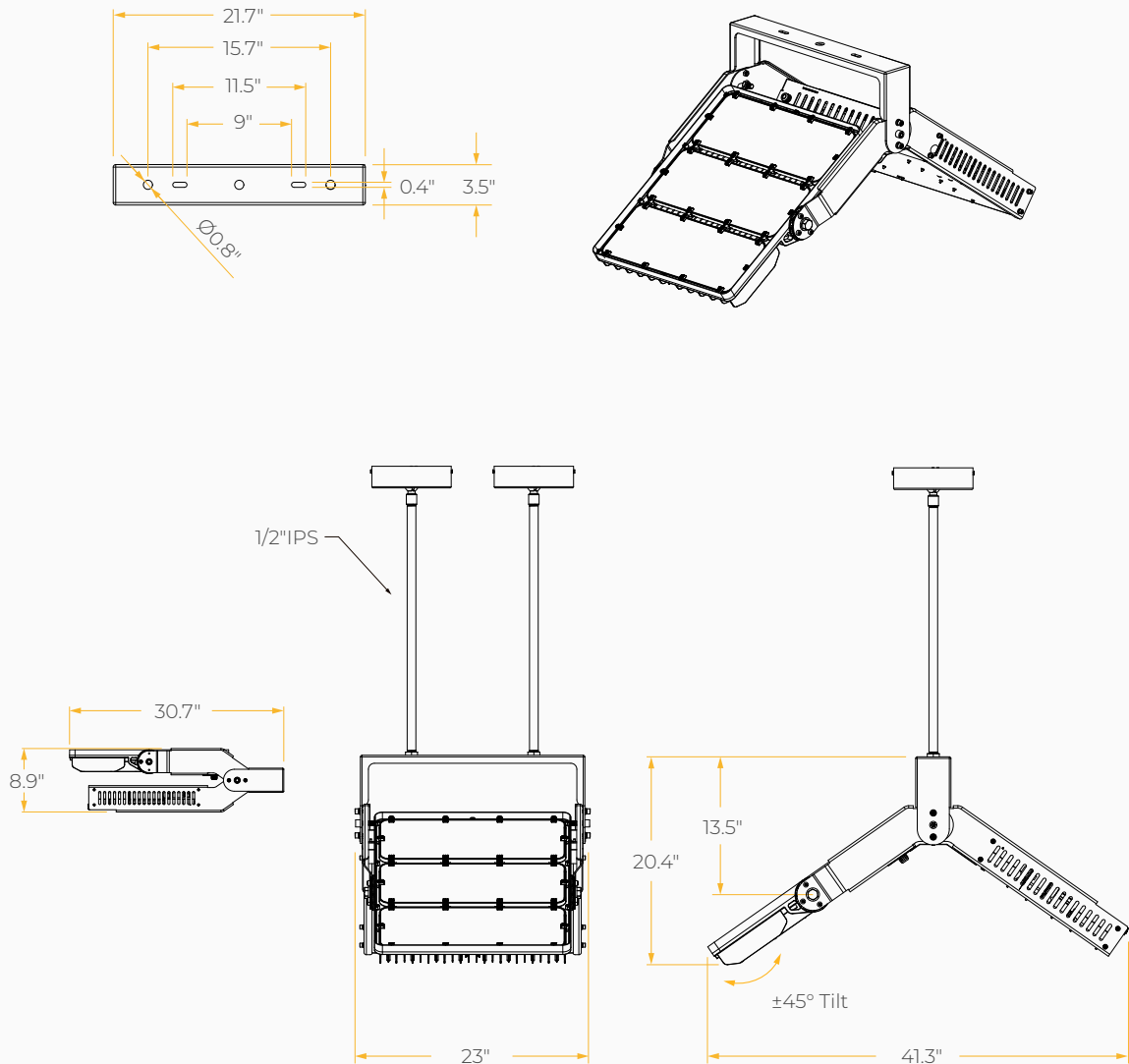
DIMENSIONS

700W Uplight Stem



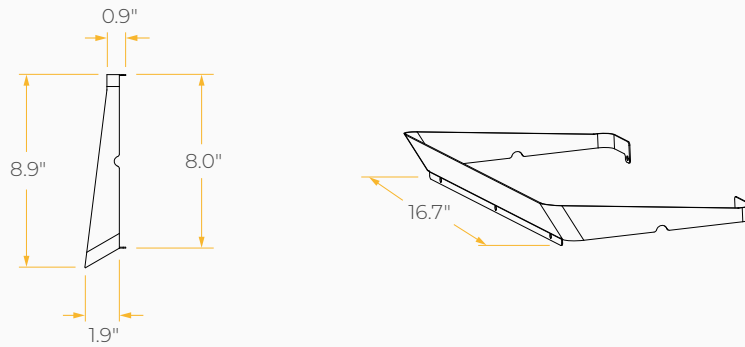
DIMENSIONS

1050W Uplight Stem

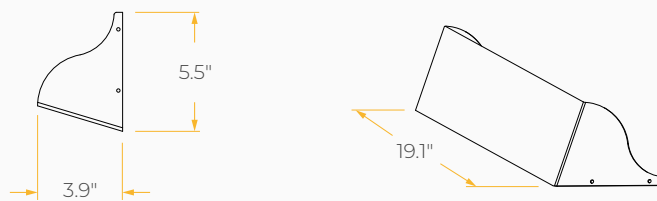


ACCESSORIES

350W Glare Shield Visor



700W / 1050W Glare Shield Visor (30° / 60°)



700W / 1050W Glare Shield Visor (Asymmetric)

